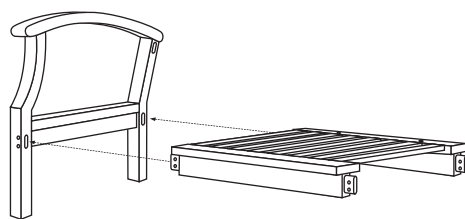
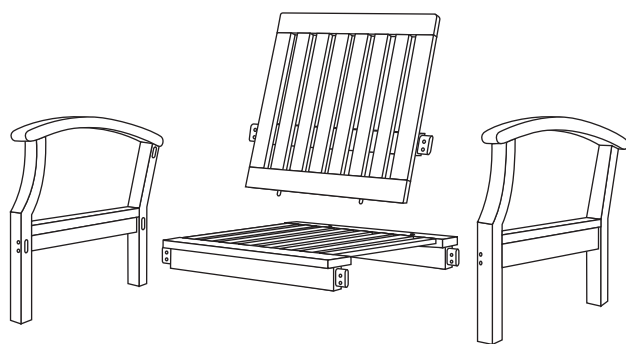
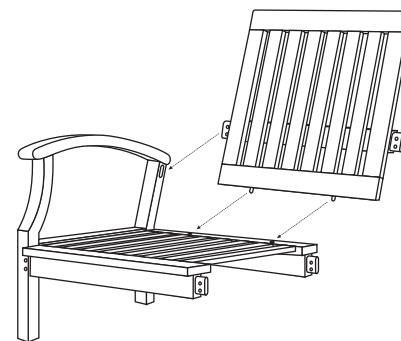


# Manual Instruction For Sevilla Club Chair

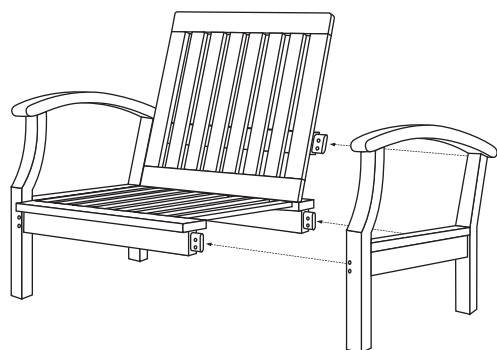
## The Component For Sevilla Club Chair



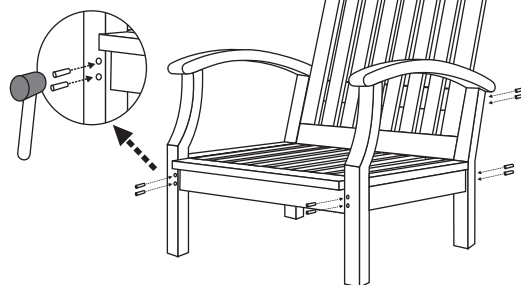
Step 1 : Please install the seat of bench to one of leg



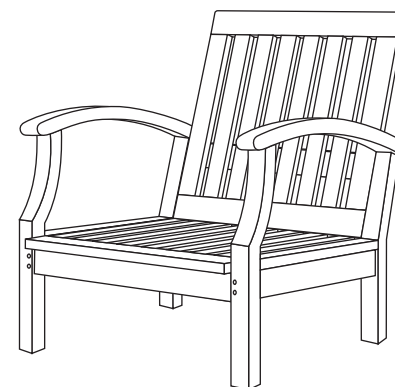
Step 2 : Please install the back of bench to step 1

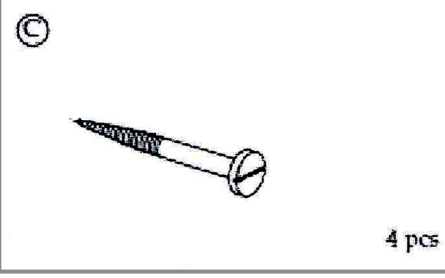
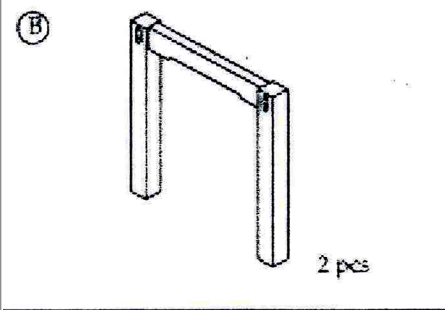
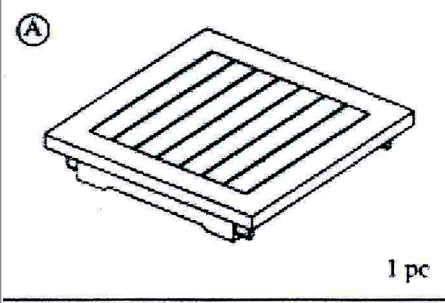
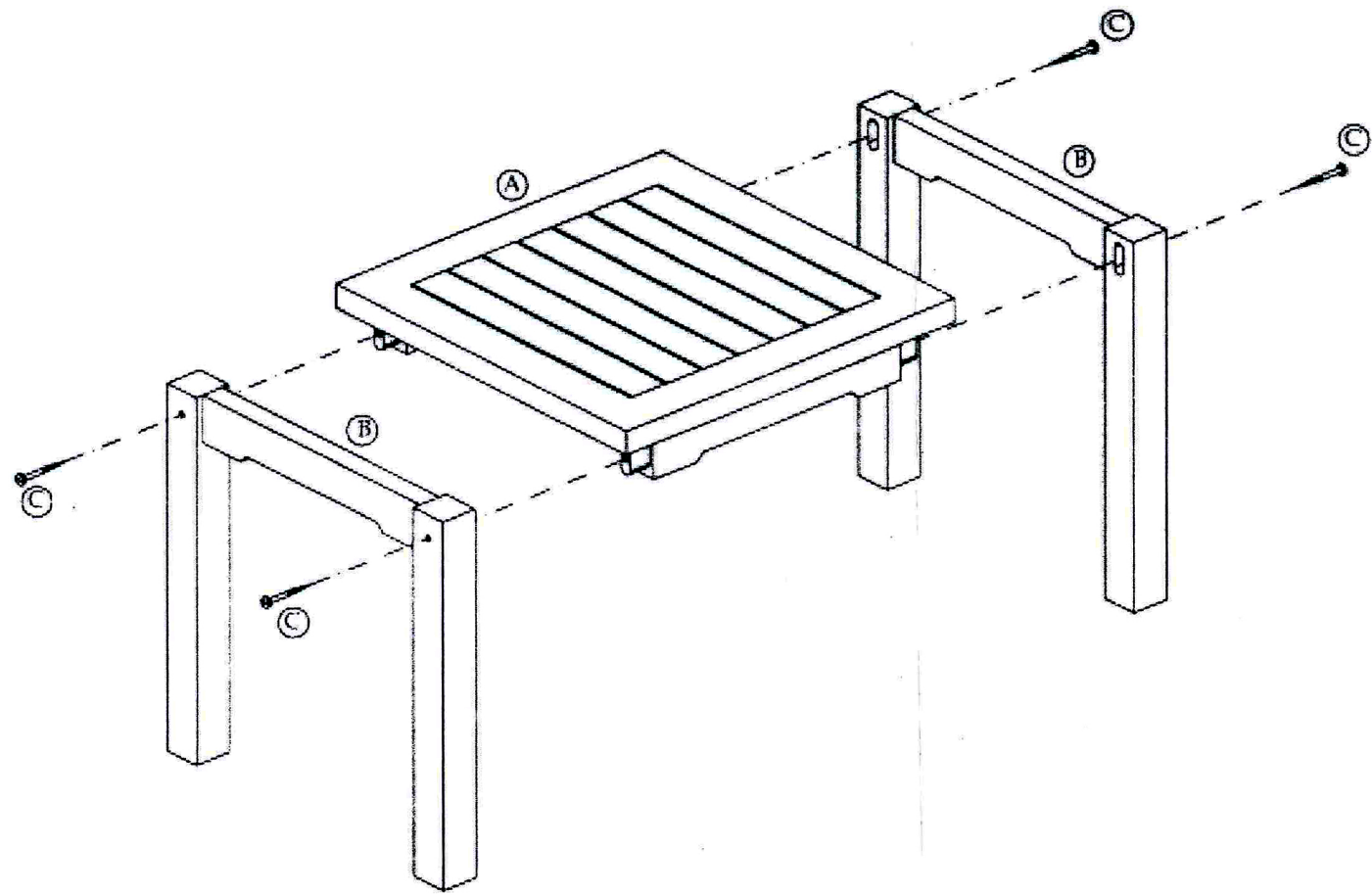


Step 3 : Please install the other leg to step 2



Step 4 : Please instal the dowels to hole that available.





SQUARE TABLE 50 CM

QG-TK047

50   
  50   
  50   
  m<sup>3</sup> 0.05   
 ( cm )